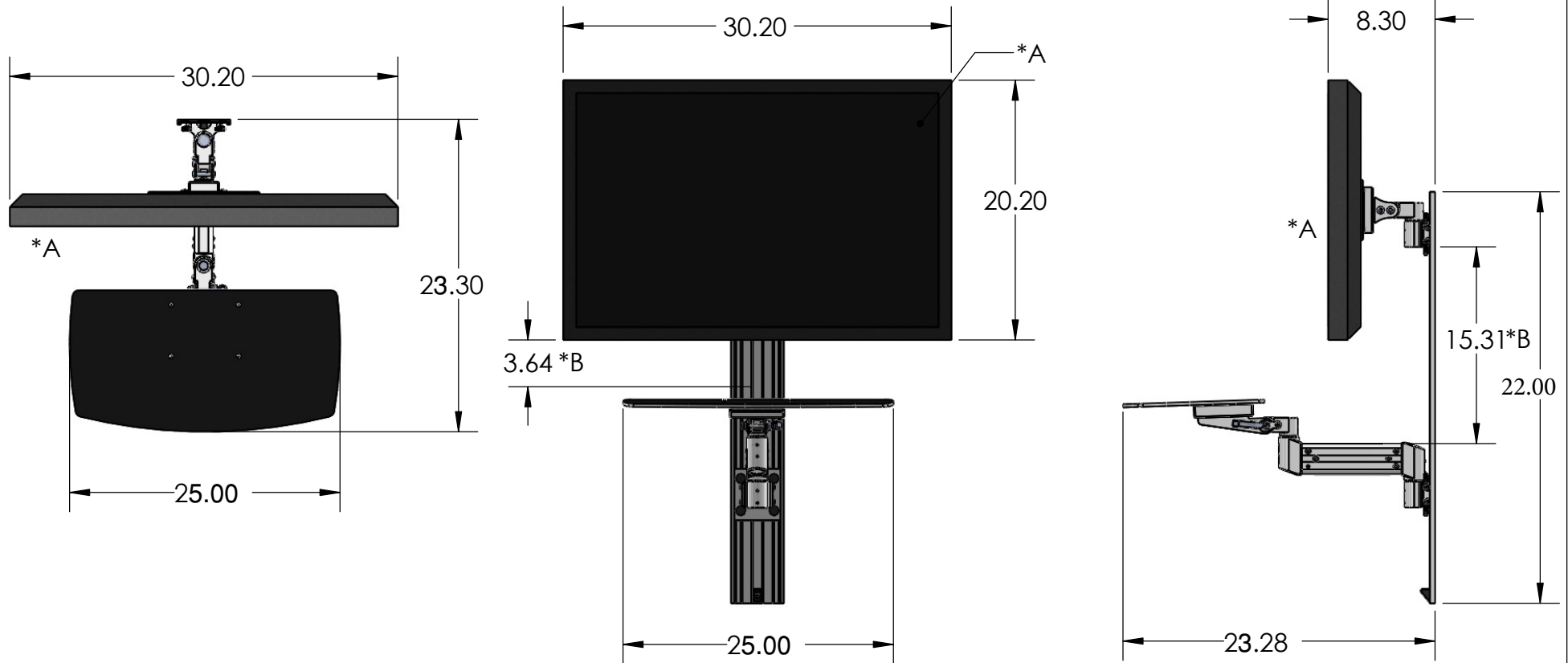


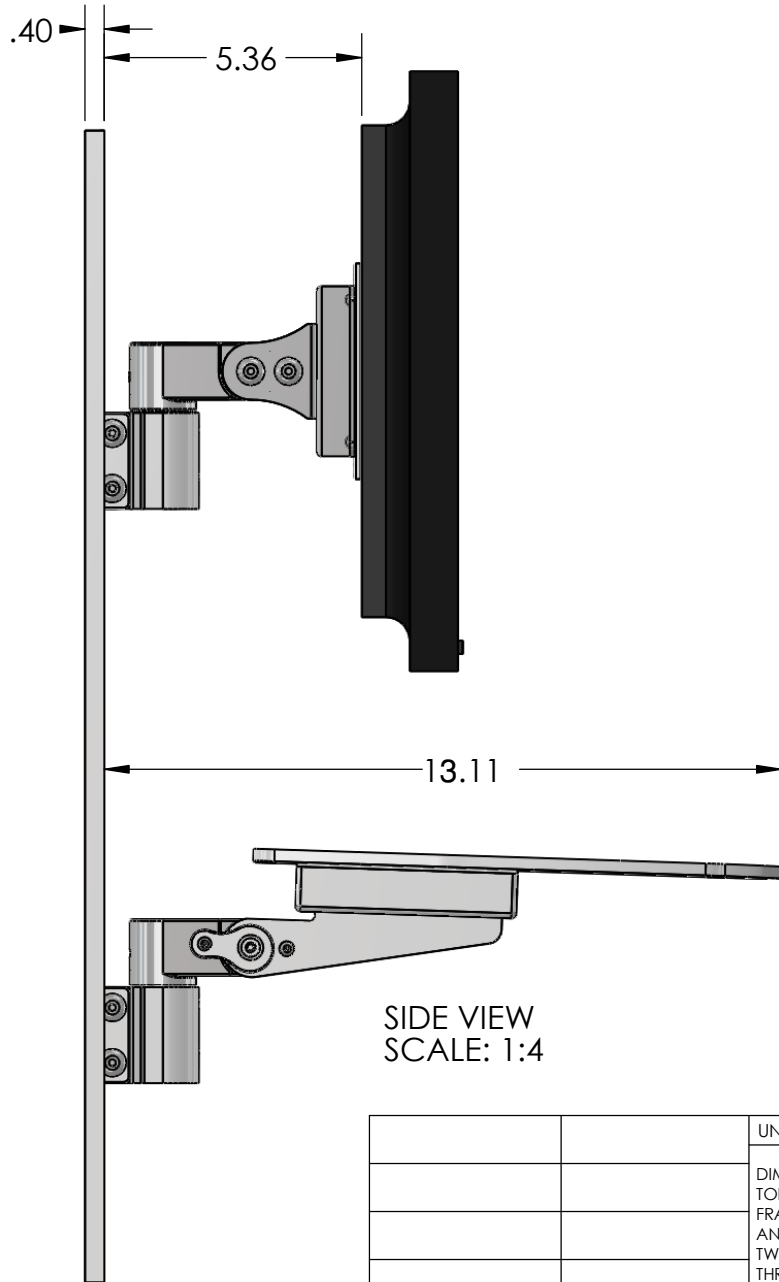
Drawing #: 60215-K  
 Custom 60215 track mount with 24" monitor



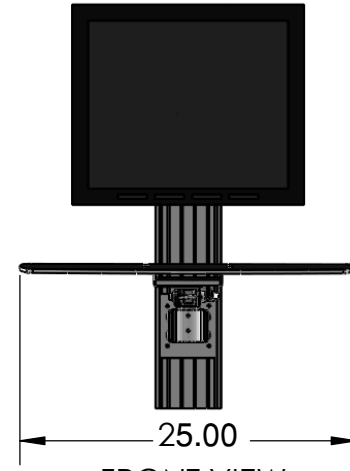
\*A: Monitor drawn to customer specifications for Sanyo 32" Monitor. Monitor NOT included in the assembly ( provided by the customer)  
 \*B: Both components are height adjustable on the track, dimensions shown are for drawing purposes only. Dimensions may vary

**PROPRIETARY AND CONFIDENTIAL**  
 THE INFORMATION CONTAINED IN THIS DRAWING IS THE SOLE PROPERTY OF CUSTOM PRODUCTS AND SERVICES. ANY REPRODUCTION IN PART OR AS A WHOLE WITHOUT THE WRITTEN PERMISSION OF CUSTOM PRODUCTS AND SERVICES IS PROHIBITED.

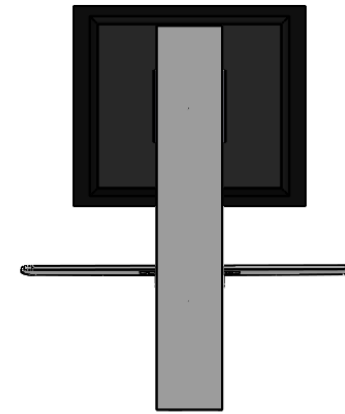
		UNLESS OTHERWISE SPECIFIED:		NAME	DATE	
		DIMENSIONS ARE IN INCHES	DRAWN	NJN	10/25/13	
		TOLERANCES:	CHECKED			TITLE: 60215 w/ 32" Monitor
		FRACTIONAL ±	ENG APPR.			
		ANGULAR: MACH ± BEND ±	MFG APPR.			
		TWO PLACE DECIMAL ±	Q.A.			
		THREE PLACE DECIMAL ±	COMMENTS:			
		INTERPRET GEOMETRIC TOLERANCING PER:				SIZE <b>A</b>
		MATERIAL				DWG. NO. 60215-K
		FINISH				REV
NEXT ASSY	USED ON					
APPLICATION		DO NOT SCALE DRAWING				SCALE: 1:16
						WEIGHT:
						SHEET 1 OF 1



SIDE VIEW  
SCALE: 1:4



FRONT VIEW



BACK VIEW

**PROPRIETARY AND CONFIDENTIAL**  
THE INFORMATION CONTAINED IN THIS DRAWING IS THE SOLE PROPERTY OF CUSTOM PRODUCTS AND SERVICES. ANY REPRODUCTION IN PART OR AS A WHOLE WITHOUT THE WRITTEN PERMISSION OF CUSTOM PRODUCTS AND SERVICES IS PROHIBITED.

		UNLESS OTHERWISE SPECIFIED:		NAME	DATE			
		DIMENSIONS ARE IN INCHES	DRAWN	NJN	8/23/12	TITLE: 60215-K Dimension Drawing		
		TOLERANCES:	CHECKED					
		FRACTIONAL ±	ENG APPR.					
		ANGULAR: MACH ± BEND ±	MFG APPR.					
		TWO PLACE DECIMAL ±	Q.A.					
		THREE PLACE DECIMAL ±	COMMENTS: Track length and monitor size are for drawing purposes only.			SIZE	DWG. NO.	REV
		INTERPRET GEOMETRIC TOLERANCING PER:				<b>A</b>	<b>60215-K</b>	
		MATERIAL				SCALE: 1:12	WEIGHT:	SHEET 1 OF 1
NEXT ASSY	USED ON	FINISH						
APPLICATION		DO NOT SCALE DRAWING						